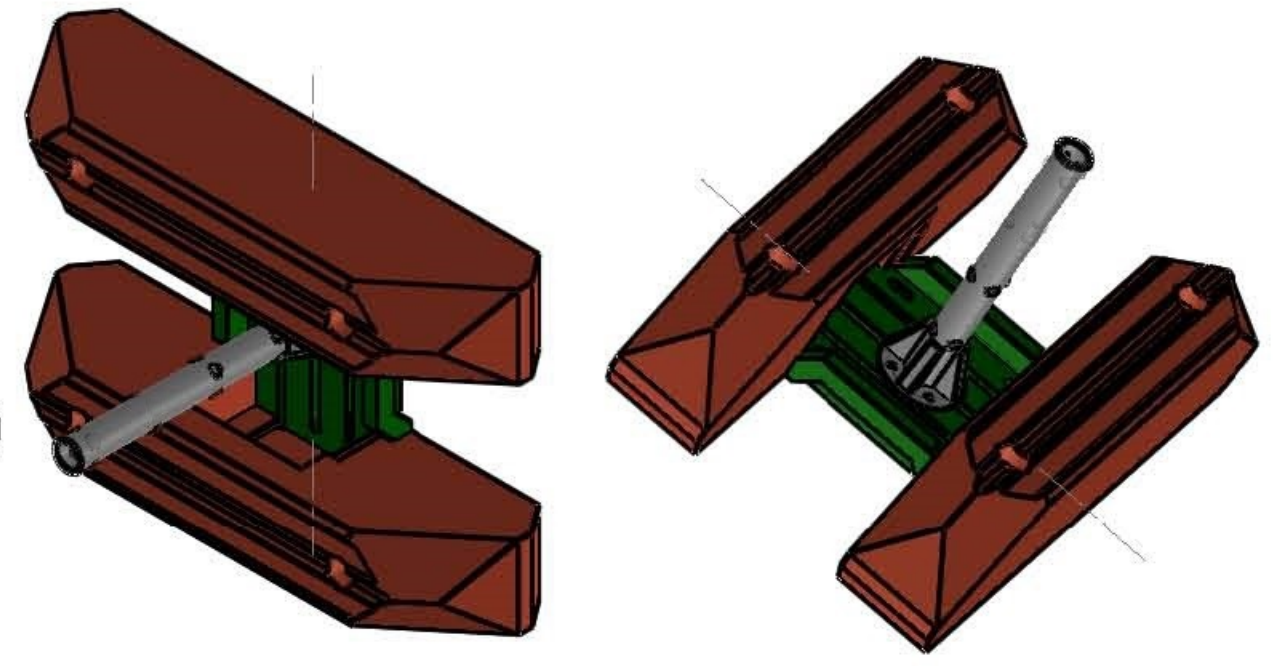
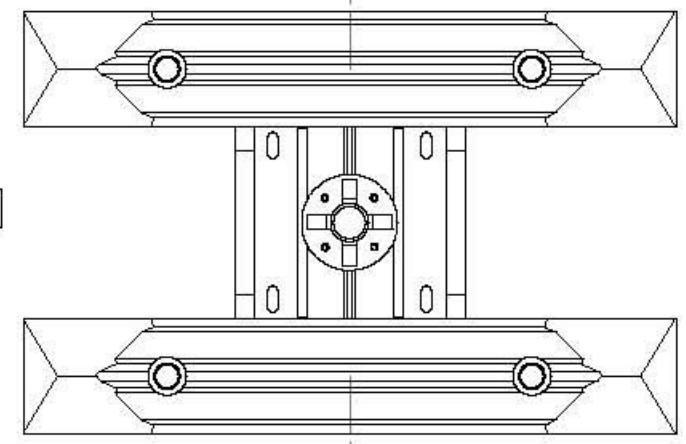
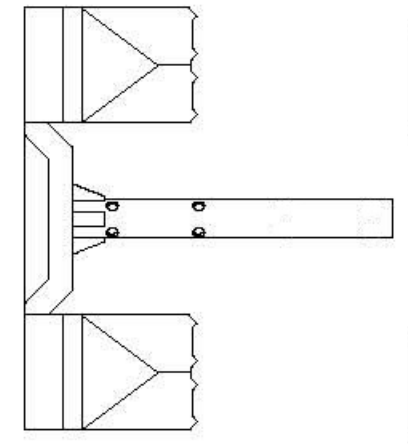
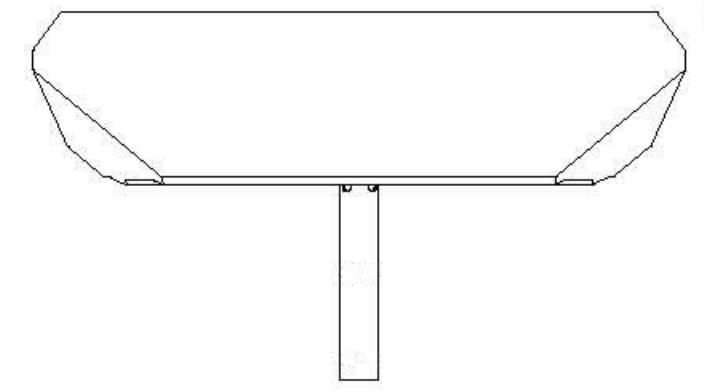
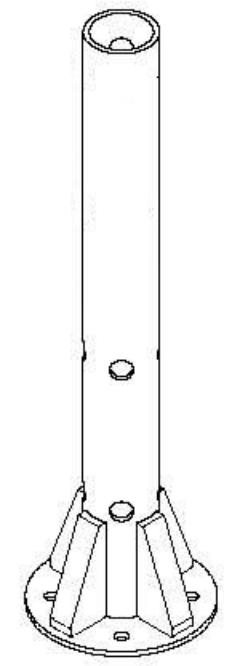
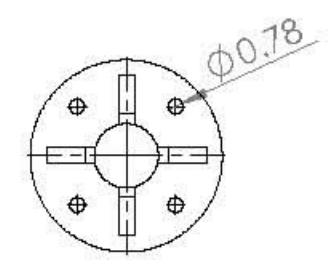
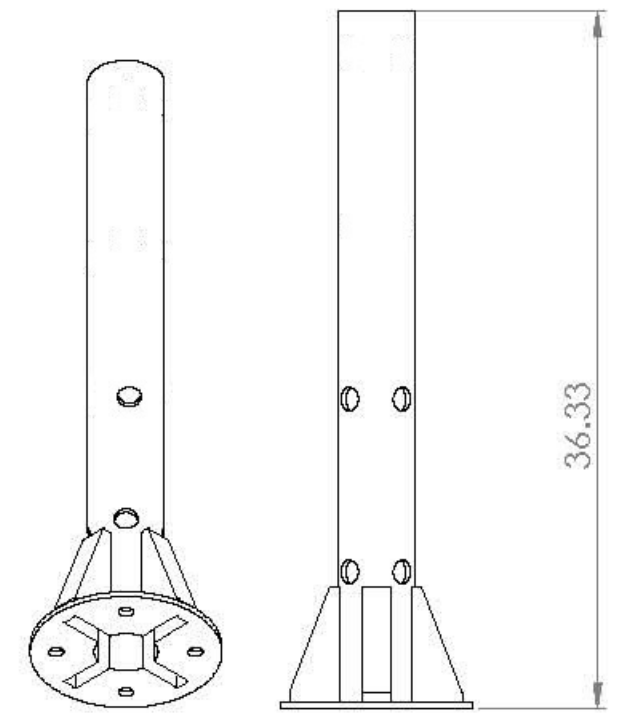
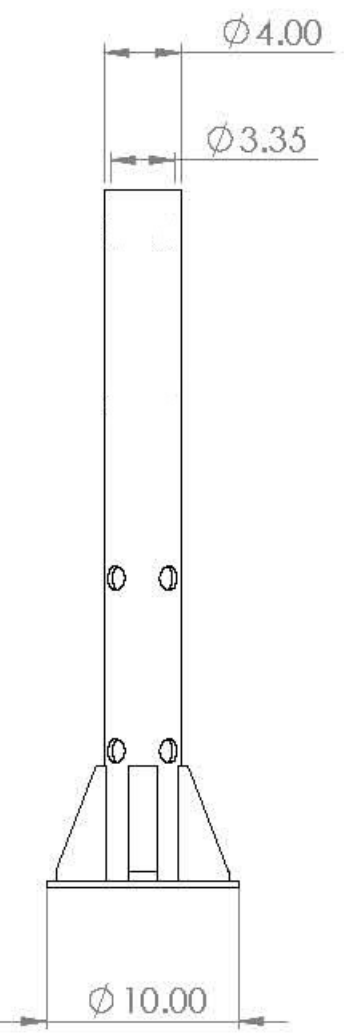


8 7 6 5 4 3 2 1

D
C
B
A



PROPRIETARY AND CONFIDENTIAL
THE INFORMATION CONTAINED IN THIS DRAWING IS THE SOLE PROPERTY OF DEEP SOUTH PLASTICS, LLC. ANY REPRODUCTION IN PART OR AS A WHOLE WITHOUT THE WRITTEN PERMISSION OF DEEP SOUTH PLASTICS, LLC IS PROHIBITED.

		UNLESS OTHERWISE SPECIFIED:		NAME	DATE	VaraCorp	
		DIMENSIONS ARE IN INCHES TOLERANCES: FRACTIONAL ± ANGULAR: MACH ± BEND ± TWO PLACE DECIMAL ± THREE PLACE DECIMAL ±		DRAWN	MPSYKES11/19/2013		
		INTERPRET GEOMETRIC TOLERANCING PER:		CHECKED		SIZE	
		MATERIAL		ENG APPR.		DWG. NO.	
		PE High Density		MFG APPR.		shaft debris cover	
		FINISH		Q.A.		REV	
NEXTASSY	USED ON			COMMENTS:			
APPLICATION		DO NOT SCALE DRAWING				SCALE: 1:10 WEIGHT: 5.99 SHEET 1 OF 1	

8 7 6 5 4 3 2 1